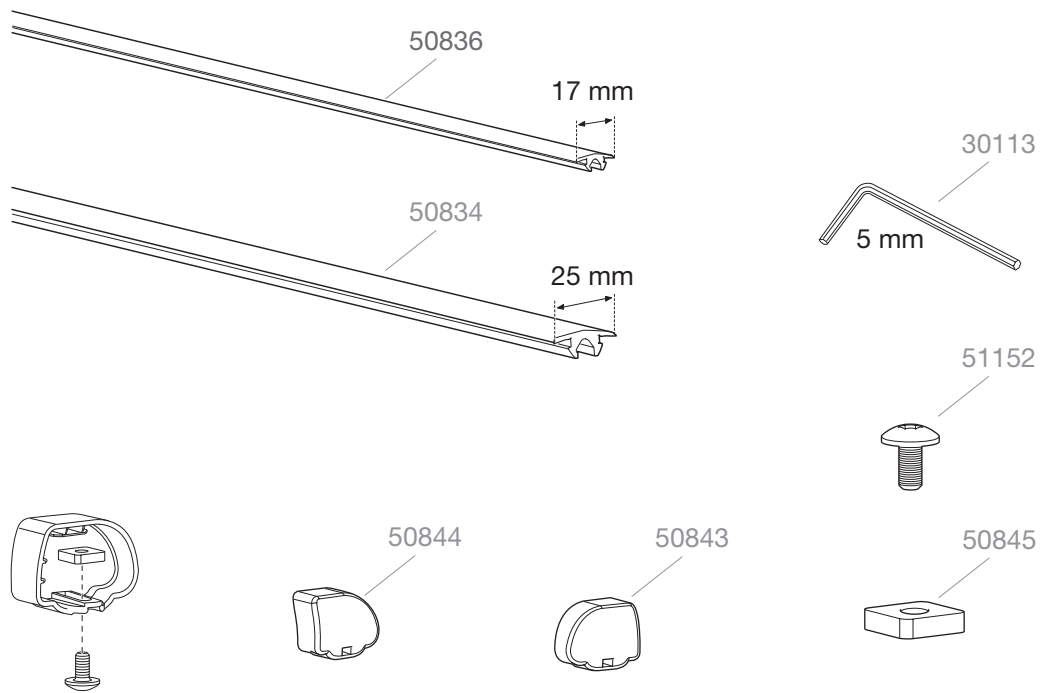


390-395

Heavy-Duty Bar

Spare part



The time-saving load system

03/2012

THULE
SWEDEN
PROFESSIONAL