

Thule Jogging Brake Kit

➤ Instructions

These instructions contain many WARNINGS. Read and understand all of the Warnings. Failure to assemble and use this accessory correctly may lead to serious personal injury to your passenger.

GENERAL WARNING

- Use wrist safety strap at all times.
- Always use seat belts.
- Always use parking brake when jogging stroller is stationary.
- Never in-line skate with the Jogging Kit. A serious accident could occur resulting in serious injury or death.

Initial Assembly Time: About 5 minutes.

Tools Required: a 10mm wrench, Phillips screwdriver and a 5mm Allen Key.

Read instructions carefully before assembly.

The brake cable does not need to be disassembled for assembly.

Any reference to orientation (left or right) is from the trailer passenger's point of view, while in the carrier.

1. The Brake Kit is pre-assembled for use on single Thule Chariot child carriers, however, if you will be using the Brake Kit on a double Thule Chariot child carrier, you will need to adjust the Jogging Brake Kit into its large/wider size. To do this, remove the four bolts (using a 10mm wrench and a Phillips screwdriver) that secure the four rails to the square tube.
2. For the Thule Chariot Corsaire, move the rails outwards and re-install the bolts through the middle two holes on each of the four rails. For the Thule Chariot Cheetah 2, and the Thule Chariot Cougar 2 move the rails outwards, and re-install the bolts through the outside two holes on each of the four rails. Ensure that each bolt has two washers, which are placed on the top and the bottom of the square tube and sandwiched between the square tube and the rails.
3. Remove the front wheel of the carrier (or install the two wheel arms, but not the wheel).
4. While facing the front of your carrier, pivot both quick release levers into the open position and orient the main body of the Brake Kit so that the levers and the brake calipers are on the bottom pointing towards you.
5. Install the main body of the Brake Kit onto the wheel arms by first sliding one end of the Brake onto one of the wheel arms followed by the other. Notice: do not tighten the quick release levers yet.
6. Assemble the brake cable onto / through the carrier. Refer to Figure #1a or #1b. Run the cables up the right hand side of the carrier.

Figure 1a

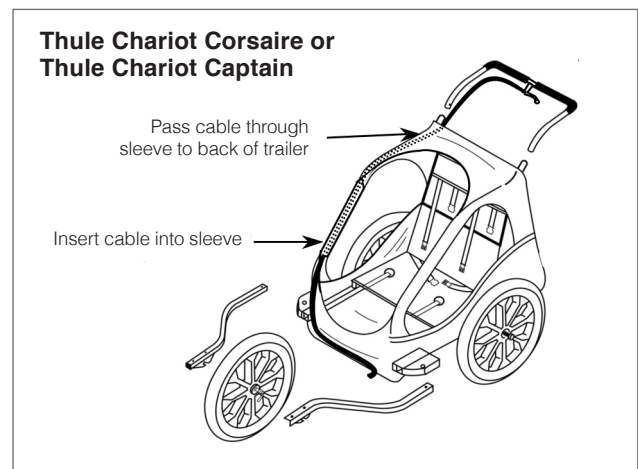
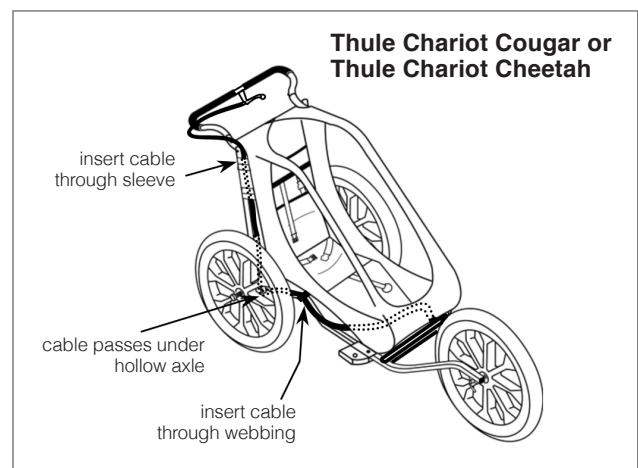
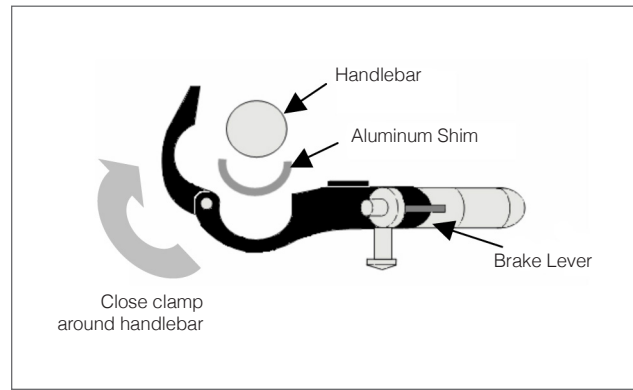


Figure 1b

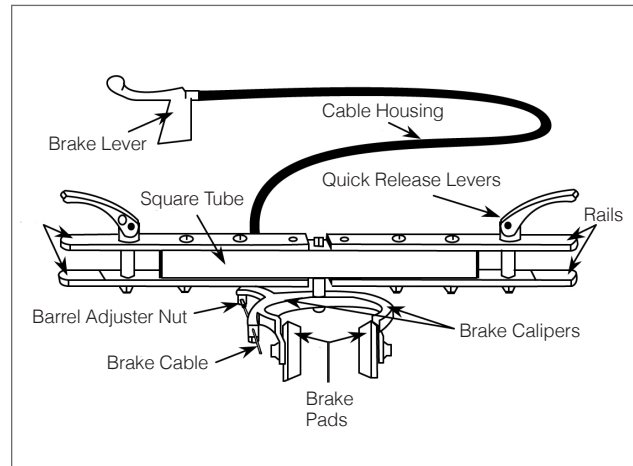


7. Place the brake lever on the centre of the handlebar so that the lever points to the left. Insert the aluminum shim between the brake lever mounting clamp and the handlebar tube as shown in Figure 2. Close the brake lever mounting clamp around the handlebar (and shim) and tighten using a 5mm Allen Key.
8. Re-attach the front wheel and adjust the main body of the Brake Kit so that the centre bolt of the brake calipers line up with the centre of the wheel. Ensure that the main body of the Brake Kit is parallel to the front of the carrier with approximately 1 to 1.5 cm between the wheel and the square tube.
9. Pivot both quick release levers into the closed position. This should securely fasten the main body to the wheel arms. If it is not securely fastened, open the quick release levers and slightly tighten the nut on the opposite side of the quick release levers until secure when the levers are closed.
10. Adjust the brake pads on the brake calipers so that they fully contact the rim of the wheel when the brake lever is actuated.
11. Adjust the cable tension and the alignment of the brake calipers so that the brake pads are close to but do not contact the rim of the wheel when the brake lever is not actuated. To make minor cable tension adjustments, rotate the barrel adjuster nut, which is located at the point where the brake housing connects to the brake calipers. If larger adjustments are necessary, re-tension the brake cable (using the 10mm) at the point where the cable is fastened to the brake calipers.

Figure 2: Brake Installation



Reference Diagram



NOTICE

The brake cable will periodically require tightening due to cable stretch.



WARNING

Ensure that the brake works effectively before loading children and using.



Thule Child Transport Systems Ltd.
105 - 5760 9th Street SE Calgary, AB T2H 1Z9 Canada



info@thule.com



www.thule.com

» PART OF THULE GROUP