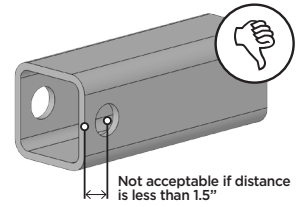
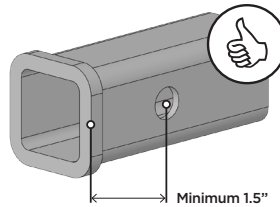
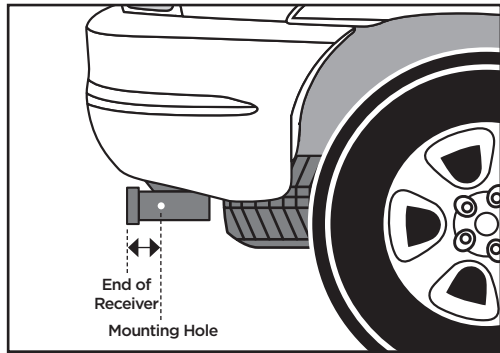


# REAR MOUNT CARRIERS

## Hitch Fit Tips

### 1 Check your pin hole depth

There are a small number of receiver hitches on the market that have a distance of less than 1.5 inches from the center of the hitch pin hole to the face of the receiver. For both safety and performance, Thule requires this distance to be at least 1.5 inches as shown in the below images.



\*Thule has specifically tested the following Subaru receiver hitches and approved them for use with Thule Vertex 2 Bike 9028/9028XT bike carriers only.

- Subaru XV Crosstrek Receiver – L1010FJ610
- Subaru Forester Receiver – L1010SG610

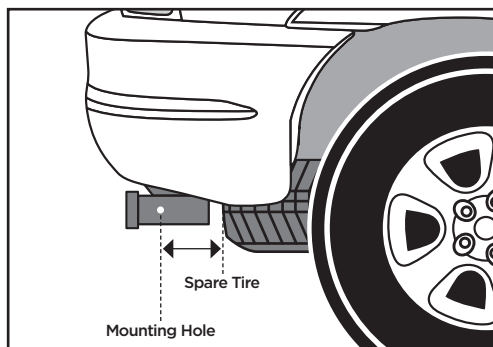
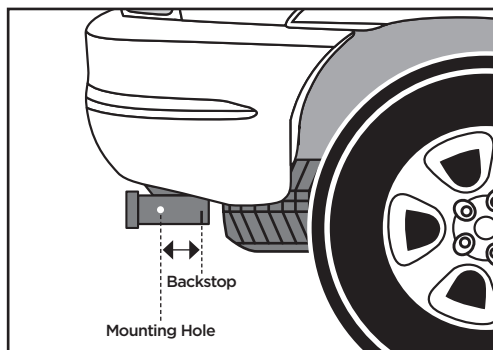
### 2 Check your Receiver Depth

To ensure proper fit, it's important to know the depth of your receiver. Determine this by doing the following:

- With a ruler inserted in the receiver, measure from the center of the hitch mounting hole to the point where you make contact with an obstacle. **This is your Receiver Depth.**
- If you do not contact a back-stop or your hitch receiver does not have a backstop, another potential point of contact could be an undercarriage-mounted spare tire or the undercarriage itself.
- Using the table in the next page, compare your measurement to see which hitch racks will work with your vehicle.

**Your Receiver Depth must be equal to or greater than the product measurement listed in the table for a proper fit.**

#### Receiver Depth



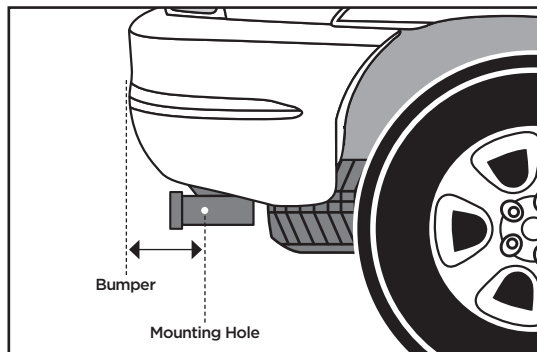
	Hitch Rack	Receiver Depth
PLATFORM	<b>T2 Pro</b>	
	9034	2.5"
	9035	1.375"
	9034 + 9036	2.5"
	<b>T2/T2 Classic</b>	
	916XTR/9044	2.625"
	917XTR/9045	1.378"
	916XTR + 918XTR/9044 + 9046	2.625"
	<b>Doubletrack</b>	
	990XT	1.5"
SWING	<b>EasyFold</b>	
	9032	1.375"
	<b>Apex Swing</b>	
9027	1.375"	
TILT	<b>Vertex Swing</b>	
	9031XT	1.375"
TILT	<b>Helium Aero</b>	
	9042/9043	1.375"
	<b>Apex</b>	
	9025/9026	1.375"
	<b>Vertex</b>	
	9028XT/9029XT/9030XT	1.375"
	<b>Parkway</b>	
	956	2.5"
	957	1.378"
	958	2.5"

## 3 Check your Bumper Clearance

Make sure your bumper will not interfere with the Thule hitch rack. Measure the distance from the center of the mounting hole on your hitch to the end of your bumper. **This is your Bumper Clearance.**

Your Bumper Clearance must be equal to or less than the product measurement listed in the table for a proper fit.

Bumper Clearance

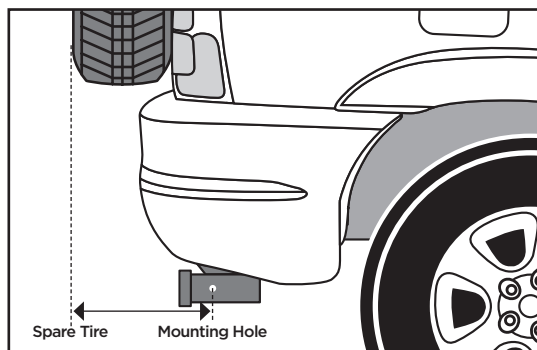


## 4 Check your Spare Tire Clearance

If you have a spare tire on the back of your vehicle it may interfere with the installation of your Thule hitch rack. Measure the distance from the center of the mounting hole on your hitch receiver to the end of your spare tire. **This is your Spare Tire Clearance.**

Your Spare Tire Clearance must be equal to or less than the product measurement listed in the table for a proper fit.

Spare Tire Clearance



	Hitch Rack	Bumper Clearance
PLATFORM	<b>T2 Pro</b>	
	9034	6.26"
	9035	6.26"
	9034 + 9036	6.26"
	<b>T2/T2 Classic</b>	
	916XTR/9044	4.5"
	917XTR/9045	3.5"
	916XTR + 918XTR/9044 + 9046	4.5"
	<b>Doubletrack</b>	
	990XT	6"
SWING	<b>EasyFold</b>	
	9032	9.5"
	<b>Apex Swing</b>	
9027	7.27"	
<b>Vertex Swing</b>		
9031XT	9"	
TILT	<b>Helium Aero</b>	
	9042/9043	10.815"
	<b>Apex</b>	
	9025/9026	7"
	<b>Vertex</b>	
	9028XT/9029XT/9030XT	6.25"
	<b>Parkway</b>	
	956	5.25"
957	10"	
958	5.25"	

	Hitch Rack	Stowed Spare Tire Clearance	in use Spare Tire Clearance
PLATFORM	<b>T2 Pro</b>		
	9034	6.25"	20.5"
	9035	6.25"	20.5"
	9034 + 9036	6.25"	20.5"
	<b>T2/T2 Classic</b>		
	916XTR/9044	3.5"	20"
	917XTR/9045	3.5"	20"
	916XTR + 918XTR/9044 + 9046	2.5"	20"
	<b>Doubletrack</b>		
	990XT	6"	19.25"
SWING	<b>EasyFold</b>		
	9032	12"	12"
	<b>Apex Swing</b>		
9027	8.81"	8.81"	
<b>Vertex Swing</b>			
9031XT	9"	9"	
TILT	<b>Helium Aero</b>		
	9042/9043	13.25"	13.25"
	<b>Apex</b>		
	9025/9026	9.29"	9.29"
	<b>Vertex</b>		
	9028XT/9029XT/9030XT	8.54"	8.54"
	<b>Parkway</b>		
	956	9.5"	9.5"
957	13.5"	13.5"	
958	9.5"	9.5"	

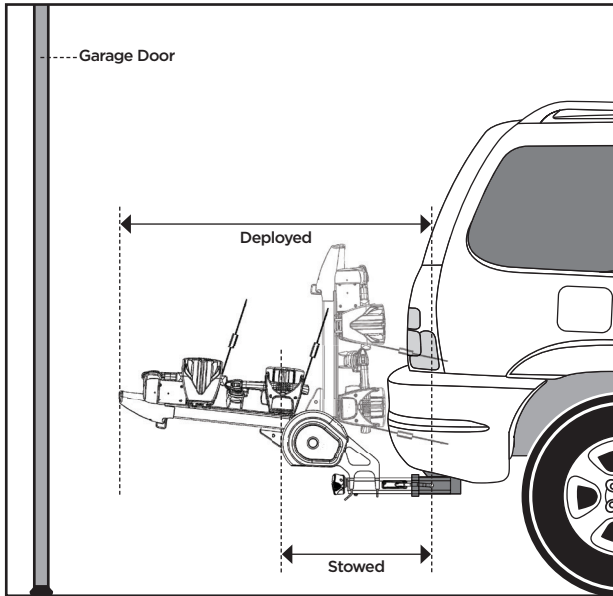
# REAR MOUNT CARRIERS

## Hitch Fit Tips

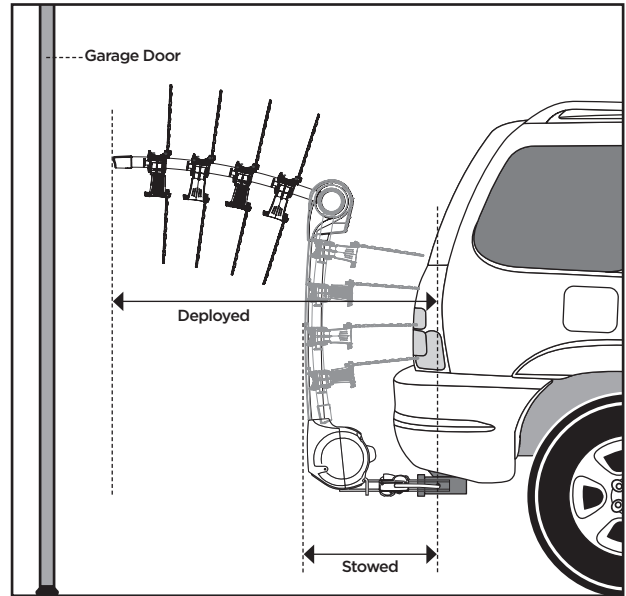
### 5 Check Garage Clearance

If you will be parking your vehicle in a garage with the rack mounted, you can use these measurements to help you determine if there will be any interference issues with fitting your vehicle into your garage space with the rack in the stowed position or deployed position.

**Garage Clearance - Platform Models**



**Garage Clearance - Swing & Tilt Models**



PLATFORM	Hitch Rack	Stowed Clearance	Deployed Clearance	
	<b>T2 Pro</b>			
	9034	20.5"	41.54"	
	9035	20.5"	41.54"	
	9034 + 9036	20.5"	60.1"	
	<b>T2/T2 Classic</b>			
	916XTR/9044	16.25"	35.3"	
	917XTR/9045	16.25"	34.3"	
	916XTR + 918XTR 9044 + 9046	16.25"	55"	
	<b>Doubletrack</b>			
990XT	14.5"	33"		
<b>EasyFold</b>				
9032	32"	32"		

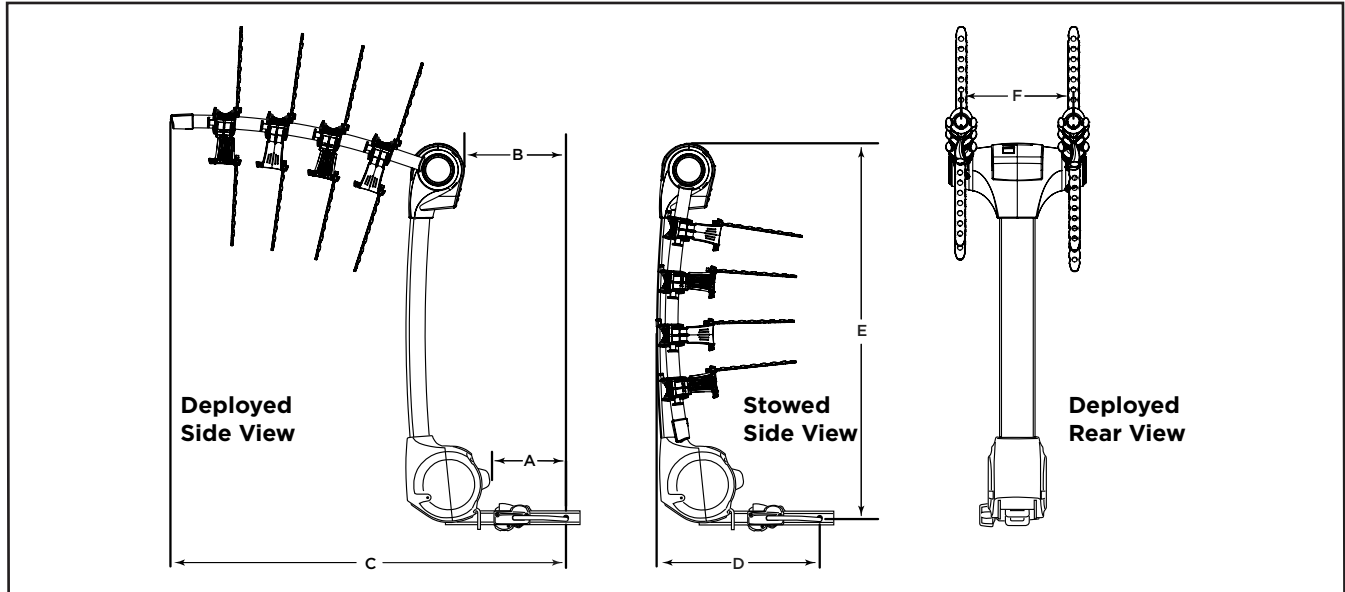
SWING	Hitch Rack	Stowed Clearance	Deployed Clearance	
	<b>Apex Swing</b>			
	9027	14.54"	37.66"	
	<b>Vertex Swing</b>			
	9031XT	16.26"	39.38"	
	<b>Helium Aero</b>			
	9042	21.09"	32.58"	
	9043	21.09"	37.87"	
	<b>Apex</b>			
	9025	14.71"	38.14"	
9026	14.71"	42.14"		
<b>Vertex</b>				
9028XT	13.96"	29.25"		
9029XT	13.96"	37.39"		
9030XT	13.96"	41.39"		
<b>Parkway</b>				
956	N/A	34.5"		
957	N/A	38.5"		
958	N/A	28.5"		

## REAR MOUNT CARRIERS

### Hitch Dimensions

Though we design our hitch-mounted bike carriers to be as universal as possible, all vehicles are designed differently. These diagrams have been designed to help you better understand the "room" our hitch-mounted bike racks need to function properly.

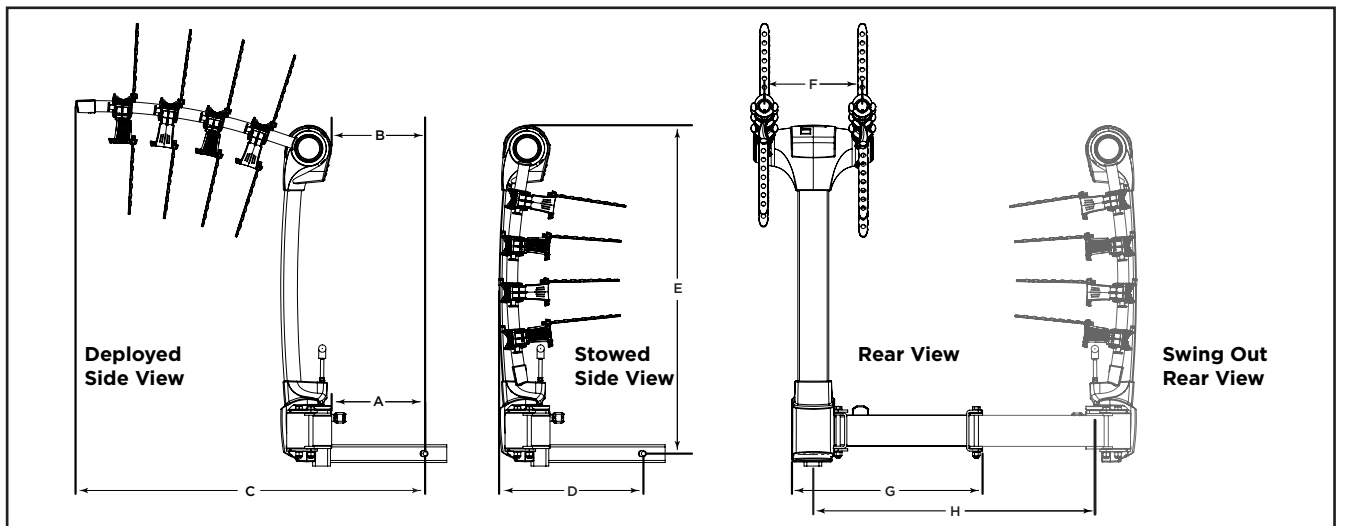
### Tilt Models



MODEL	A	B	C	D	E	F
934XT	10"	13.5"	38.5"	21.5"	33.75"	11"
935XT	10"	13.5"	30.75"	21.5"	33.75"	11"
936XT	10"	13.5"	38.5"	21.5"	33.75"	11"
937XT	10"	13.5"	30.75"	21.5"	33.75"	11"
951XT	5.25"	9.5"	43.75"	17"	33.75"	11"
956	5.25"	9.5"	34.5"	N/A	34.5"	11"
957	10"	13.5"	38.5"	N/A	34.5"	11"
958	5.25"	9.5"	26.5"	N/A	34"	11"
9042	10.815"	13.234"	32.58"	21.09"	37.36"	11"

MODEL	A	B	C	D	E	F
9043	10.815"	13.234"	37.87"	21.09"	37.36"	11"
995XT	10"	12.5"	39"	21.5"	33.75"	11"
996XT	10"	12.5"	39"	21.5"	33.75"	11"
998XT	7.5"	9.5"	37.75"	17"	33.75"	11"
9025	7"	9.29"	38.14"	14.709"	37.04"	11"
9026	7"	9.29"	42.14"	14.709"	37.04"	11"
9028XT	6.25"	8.54"	29.25"	13.96"	37.04"	11"
9029XT	6.25"	8.54"	37.39"	13.96"	37.04"	11"
9030XT	6.25"	8.54"	41.39"	13.96"	37.04"	11"

### Swing Models

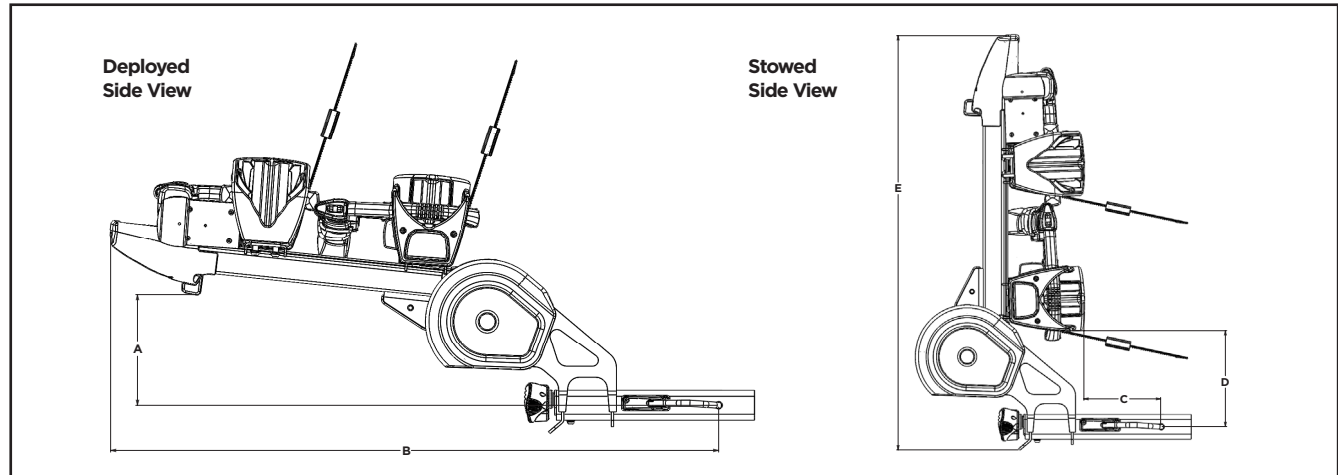


MODEL	A	B	C	D	E	F	G	H
9027	7.27"	8.81"	37.66"	14.54"	37.59"	11"	21.48"	31"
9031XT	9"	10.53"	39.38"	16.26"	37.20"	11"	21.48"	31"

# REAR MOUNT CARRIERS

## Hitch Dimensions

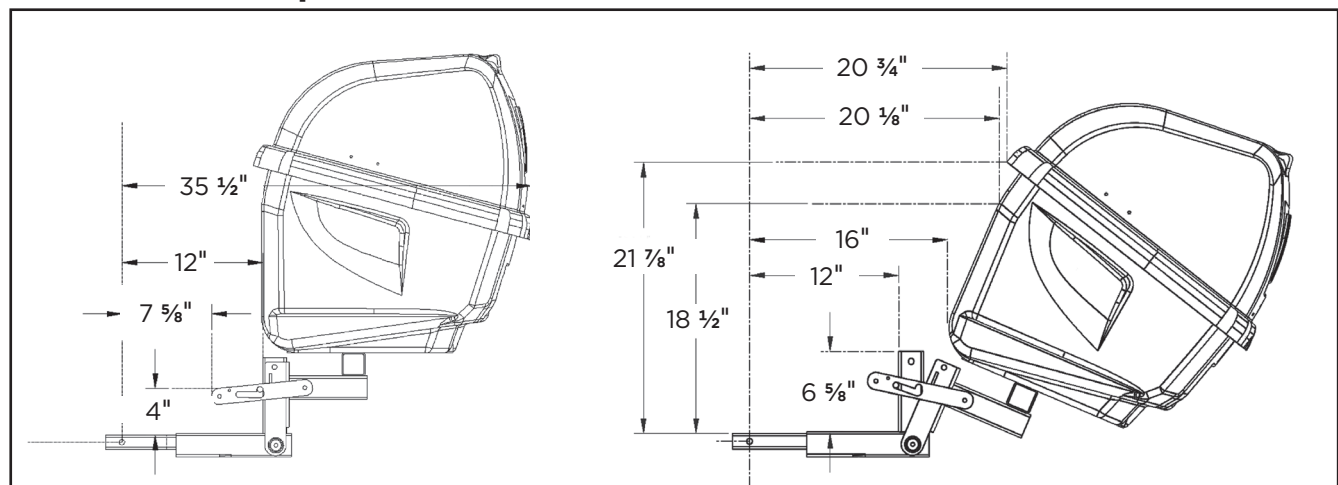
### Platform Models



MODEL	A	B	C	D	E
9034	7.56"	41.54"	6.26"	7.89"	33.83"
9035	7.9"	41.54"	6.26"	7.89"	33.83"
9034+9036	9.60"	60.1"	6.26"	7.89"	52.5"
9044	6.4"	35.3"	4.5"	8.9"	29.25"
9045	7.9"	34.3"	3.5"	10.4"	28"
9044+9046	7.9"	55"	4.5"	8.9"	49"

MODEL	A	B	C	D	E
916XT	6.4"	35.3"	4.5"	8.9"	29.25"
917XT	7.9"	34.3"	3.5"	10.4"	28"
916XTR+918XTR	7.9"	55"	4.5"	8.9"	49"
990XT	6"	33"	6"	16"	31.25"
9032	6"	32"	9.5"	N/A	32"

## 665C Thule Transporter Combi



Hitch Cargo Box	
Product name	Transporter Combi
Cargo volume	13 cu. ft. / 368 L
Weight limit (including weight of box)	150 lbs. / 68 kg
Minutes to install	10
Exterior dimensions L x W x H	50.5 x 23.5 x 24.5" 128 x 60 x 62 cm

continued	
Interior length	47" / 119 cm
Interior width	21.5" / 55 cm
Interior height	22.5" / 57 cm
Weight	55 lbs / 24.9 kg
Part number / Color	665C / black
Fits 1 1/4" and 2" Receiver Hitches	Y