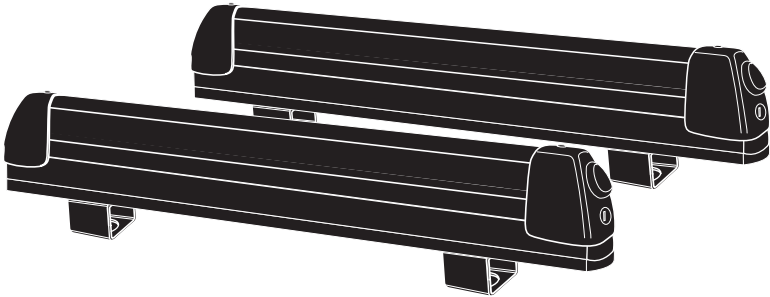


Thule Xtender 739

> Instructions



Ski carrier



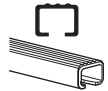
Thule WingBar



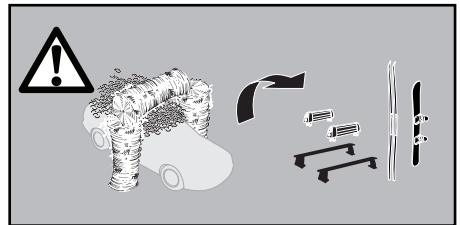
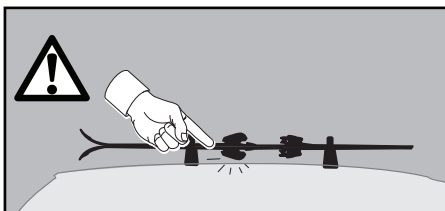
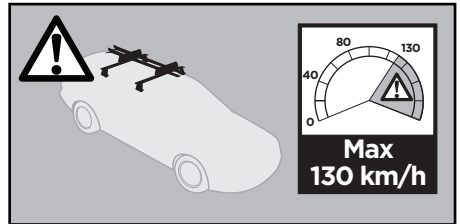
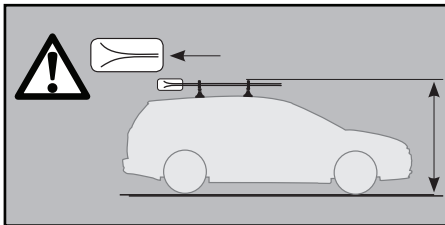
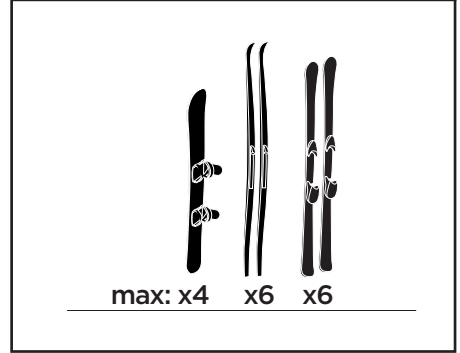
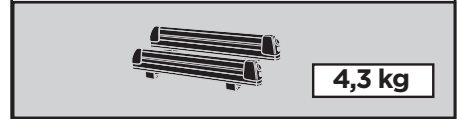
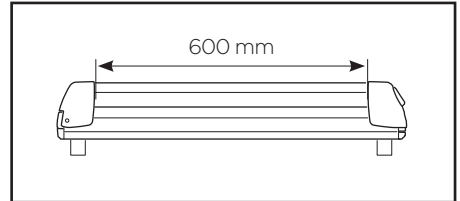
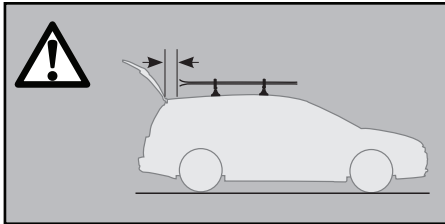
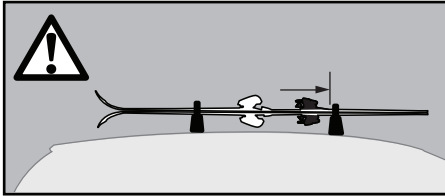
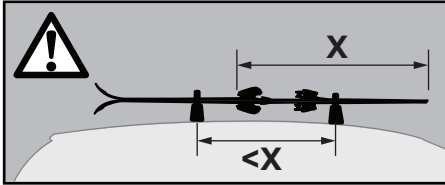
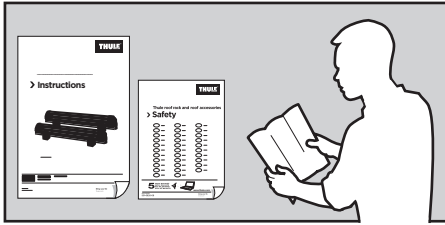
Thule AeroBar

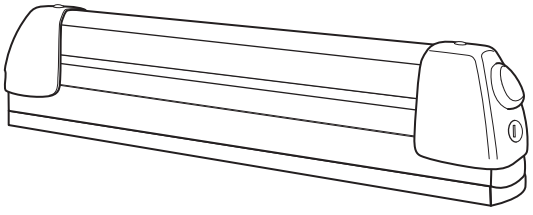
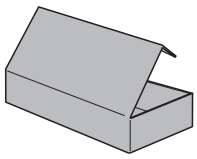
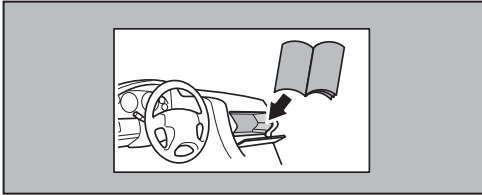


Thule SlideBar

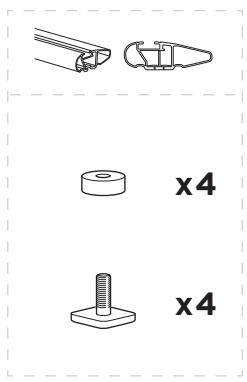


Thule SquareBar





x2



x4



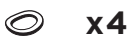
x4



x2



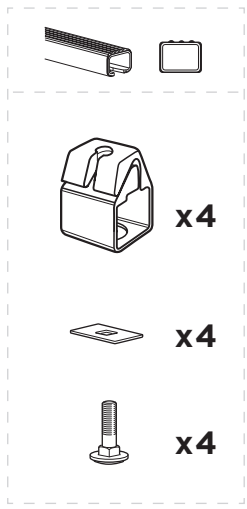
x4



x4



x1



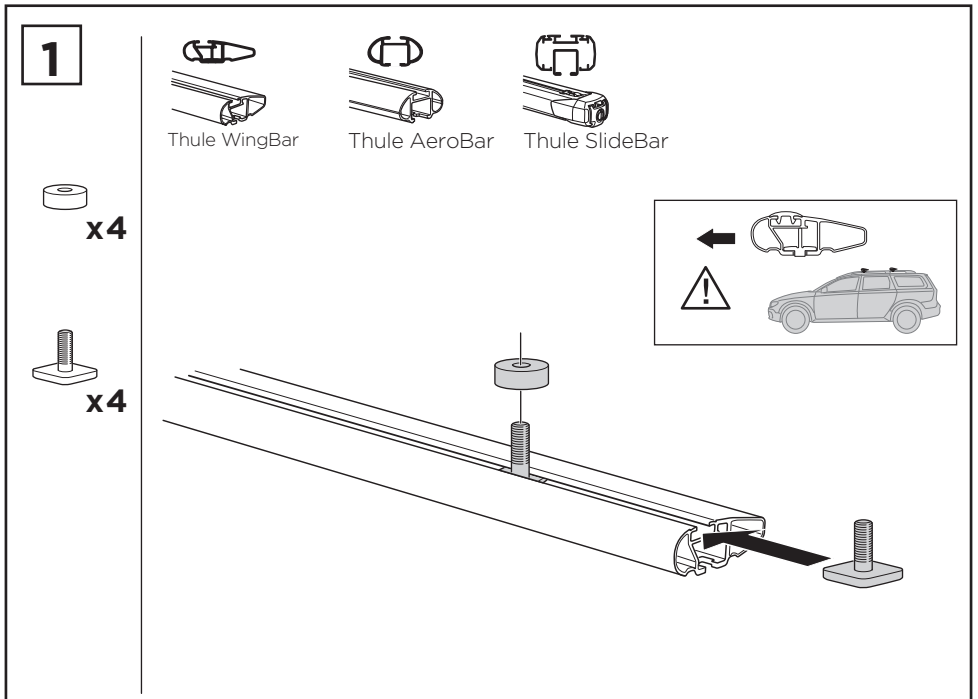
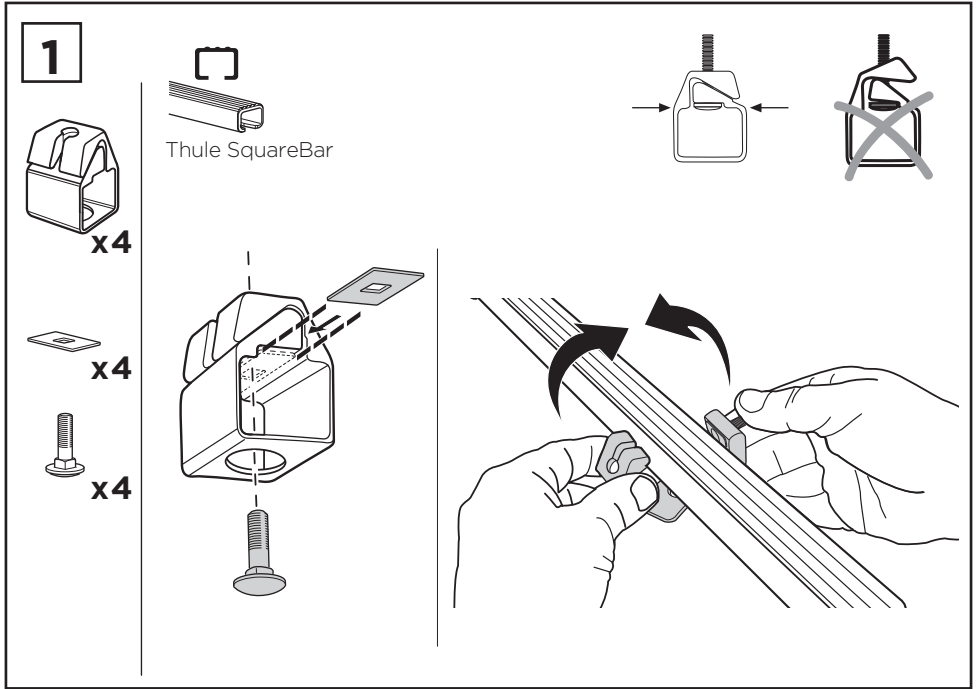
x4

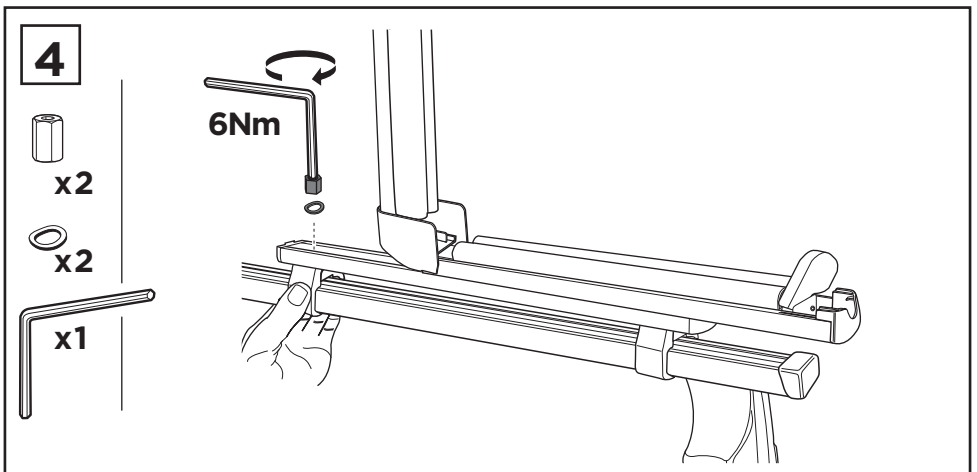
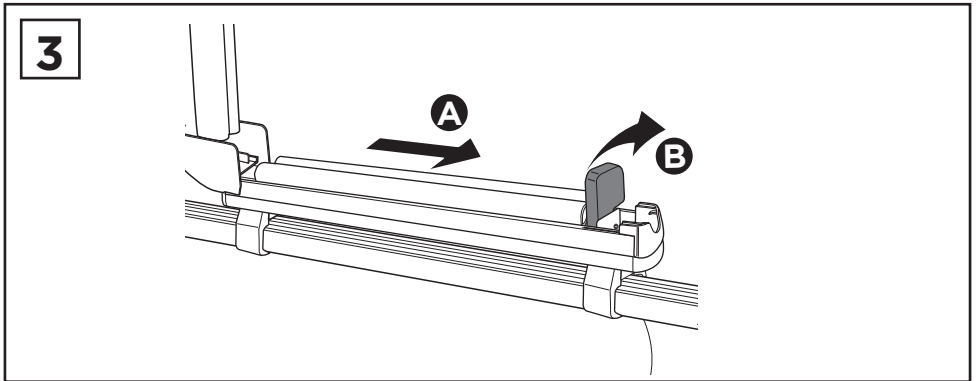
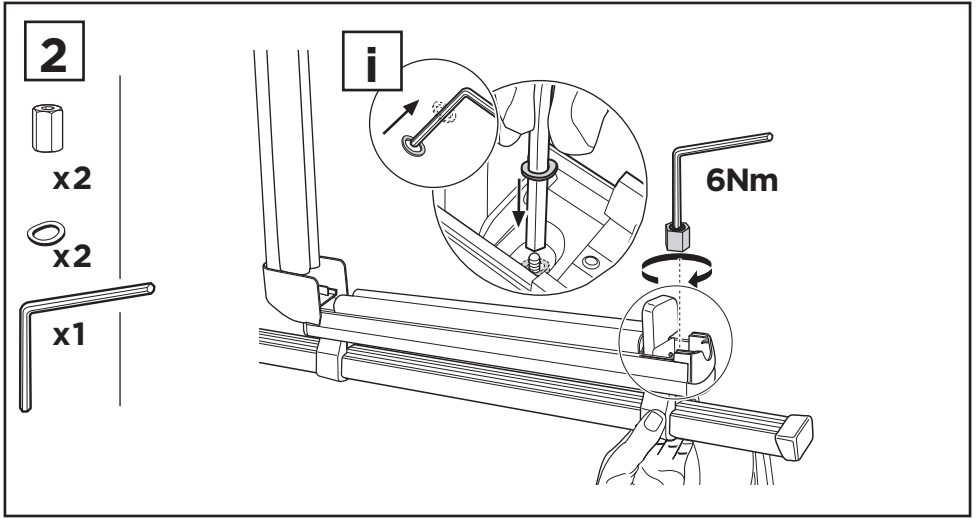


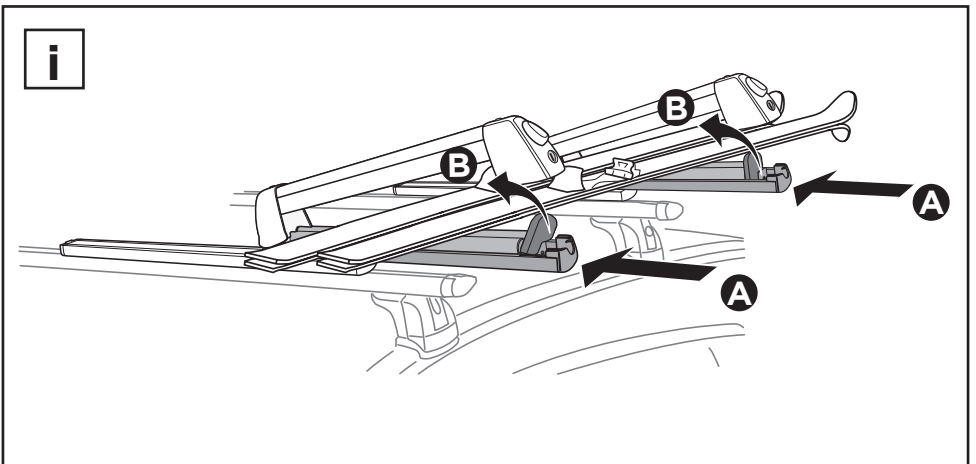
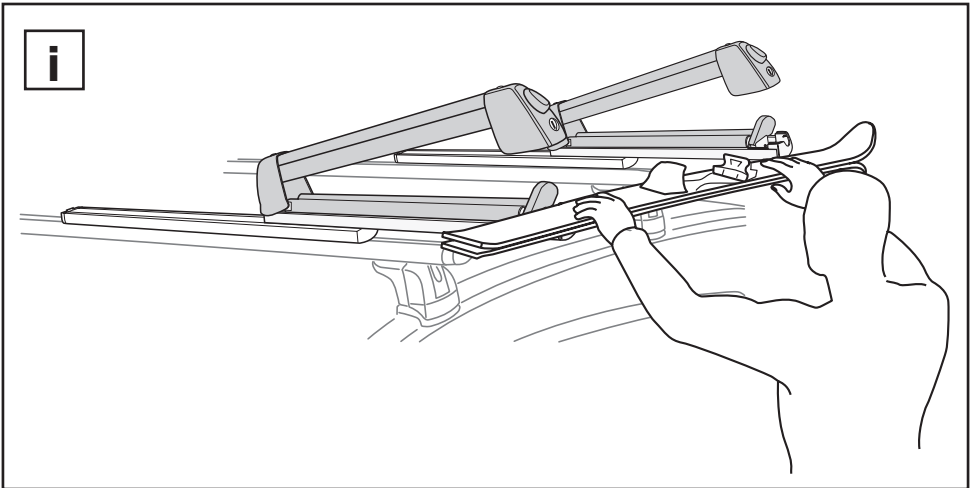
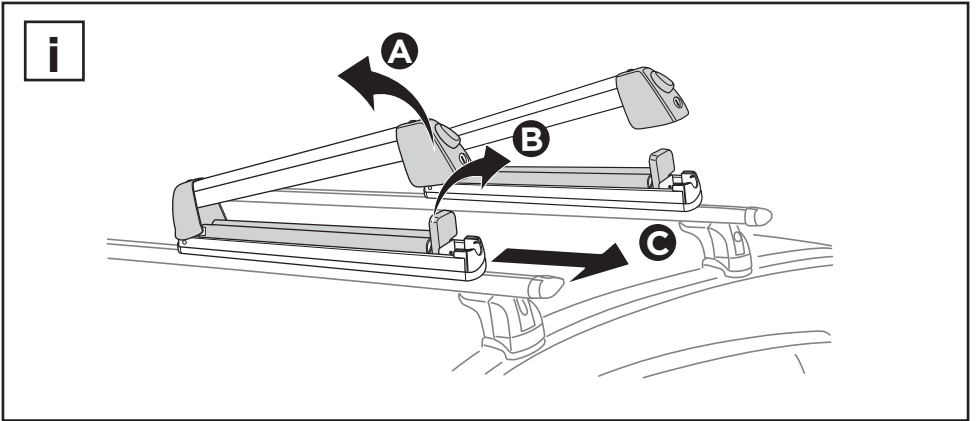
x4



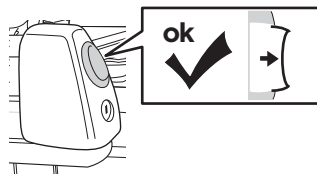
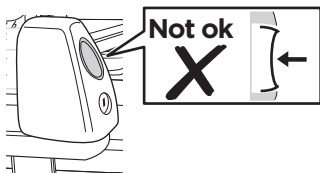
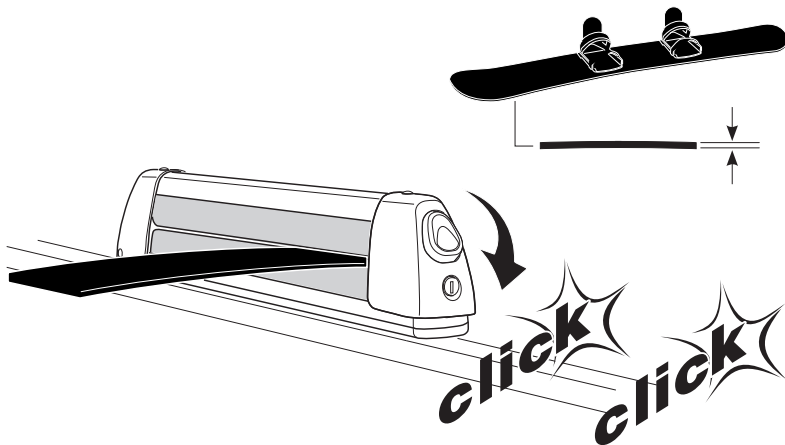
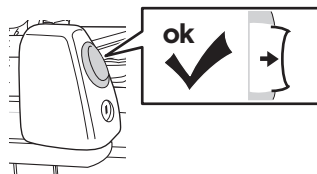
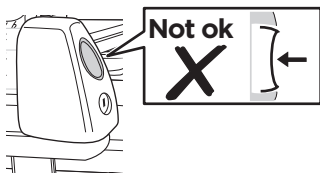
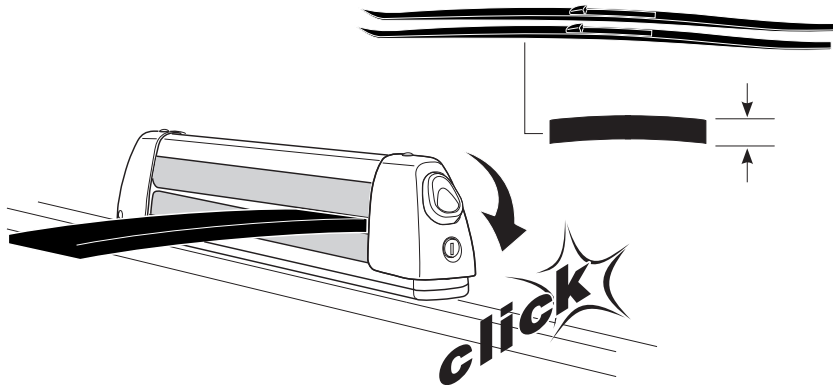
x4

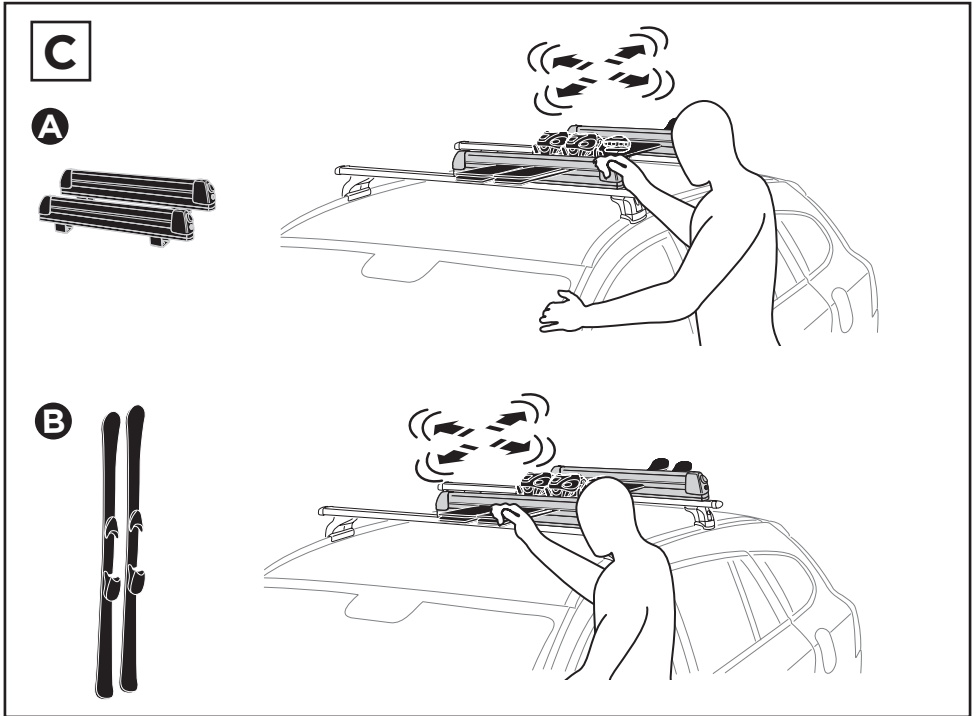
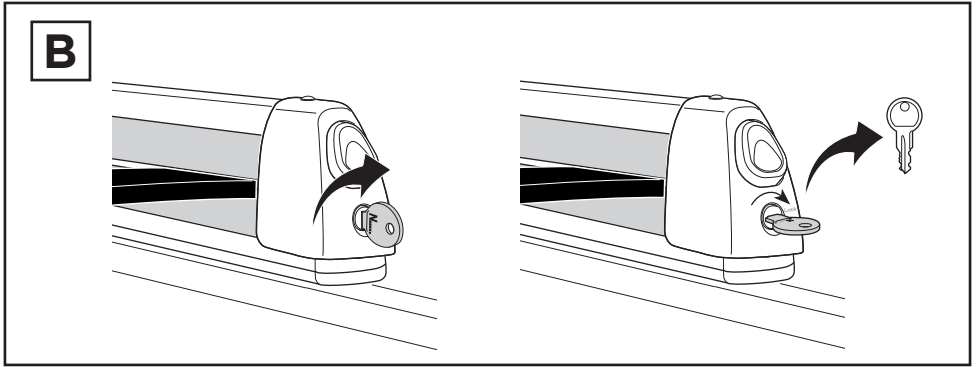






A





Thule One-Key System

544		(x4)
596		(x6)
588		(x8)
452		(x12)