

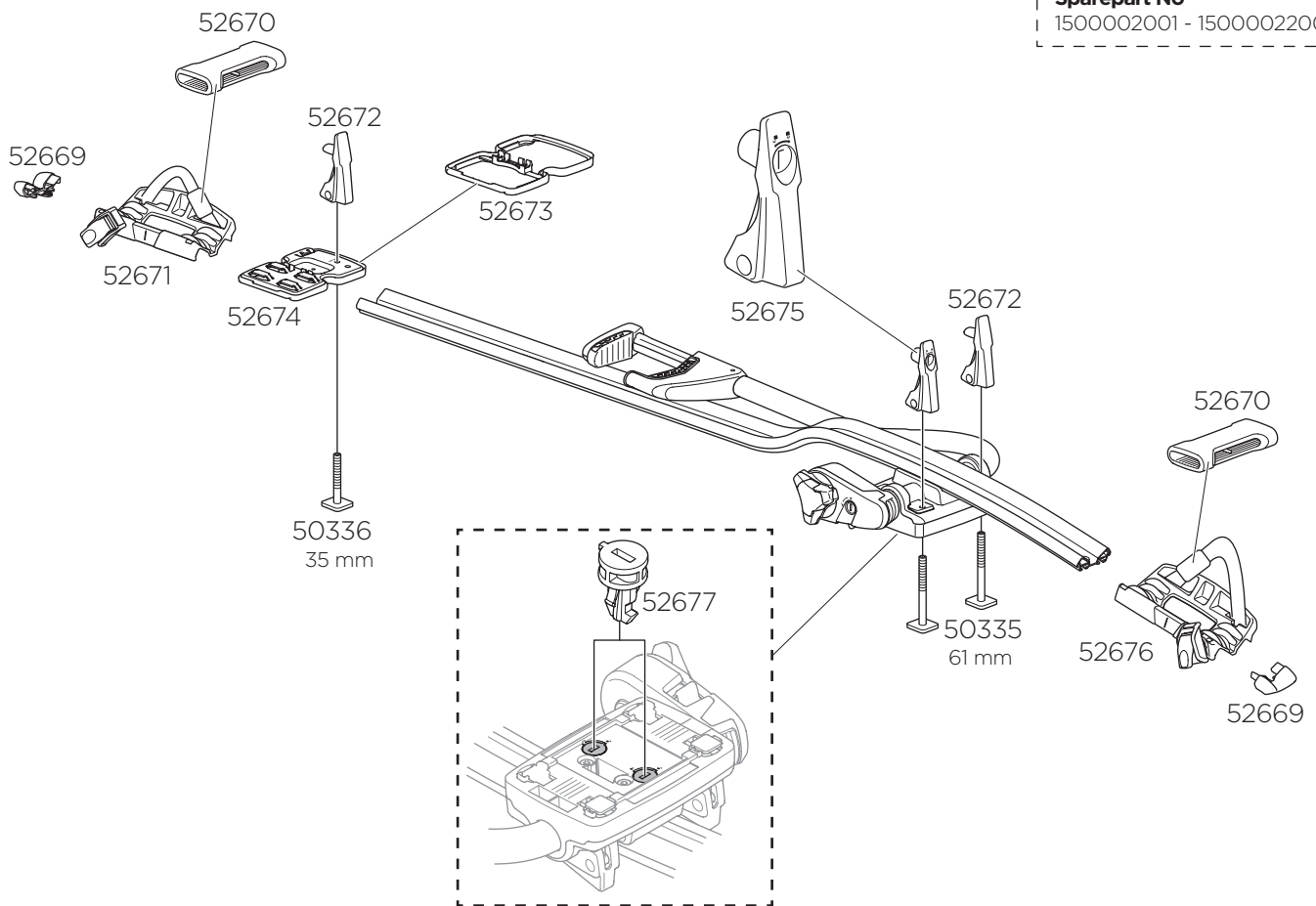
x1 

Key+Lock  
= N....

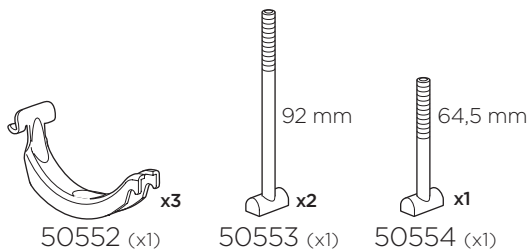
**No**  
N001-N200  
**Sparepart No**  
1500001001 - 1500001200

+

Key  
**No**  
N001-N200  
**Sparepart No**  
1500002001 - 1500002200



### 8895 Adapter Kit



### 52678

