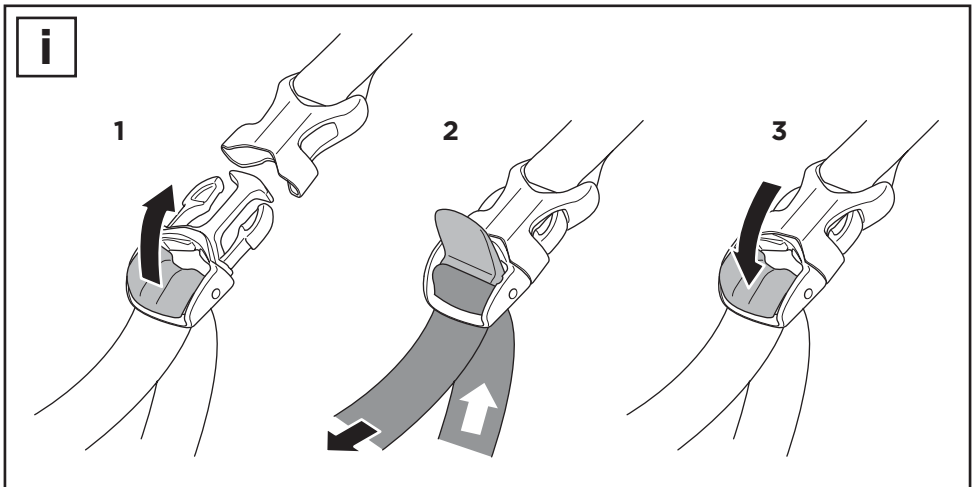
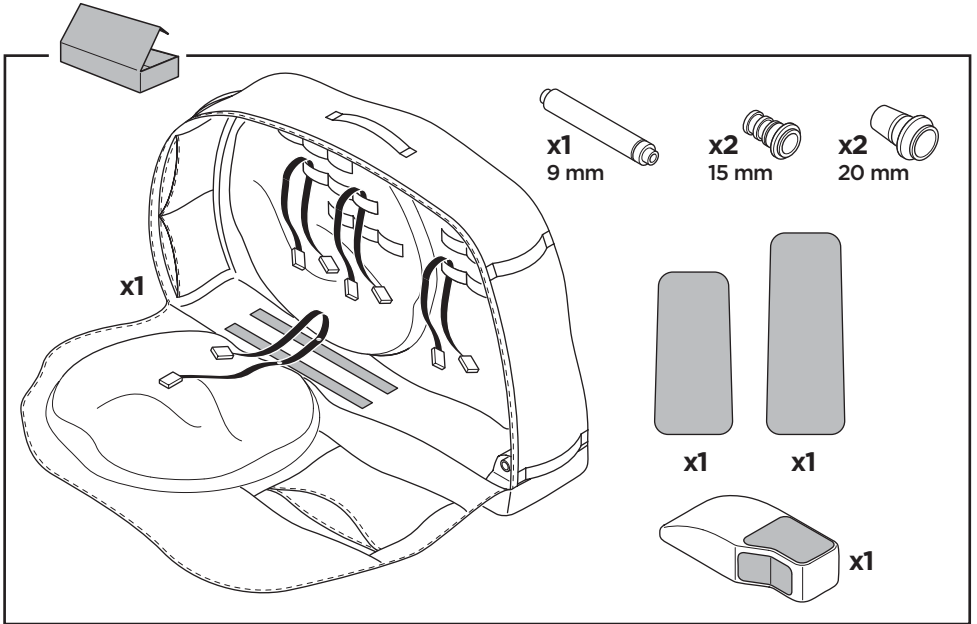
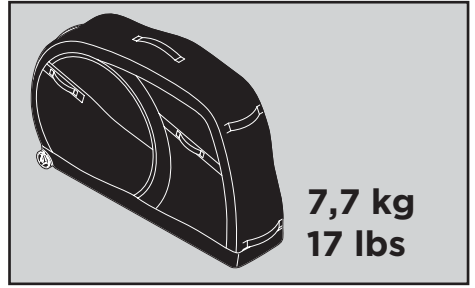
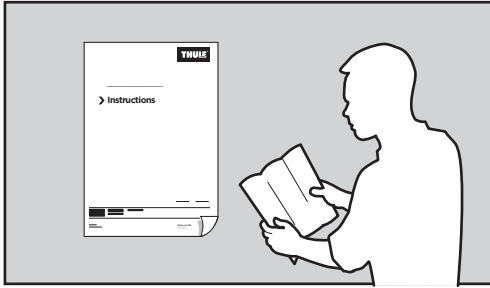


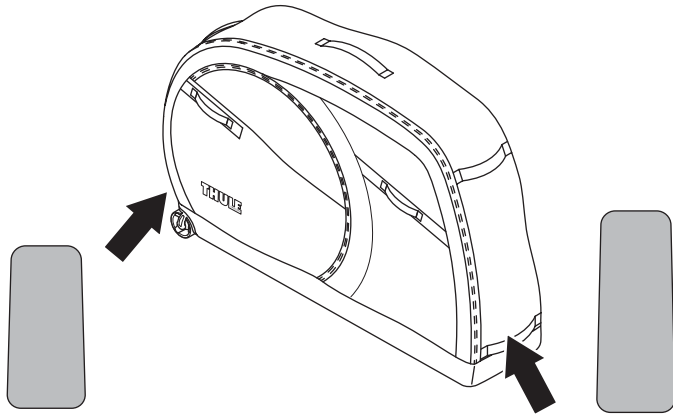
## Thule Round Trip Traveler

# ➤ Instructions

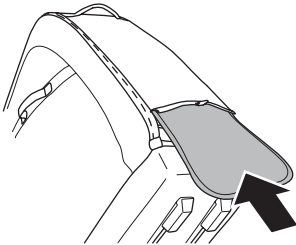




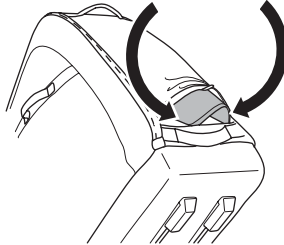
1



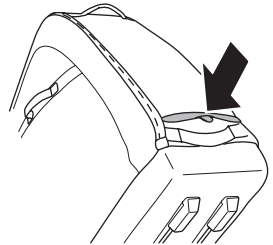
1



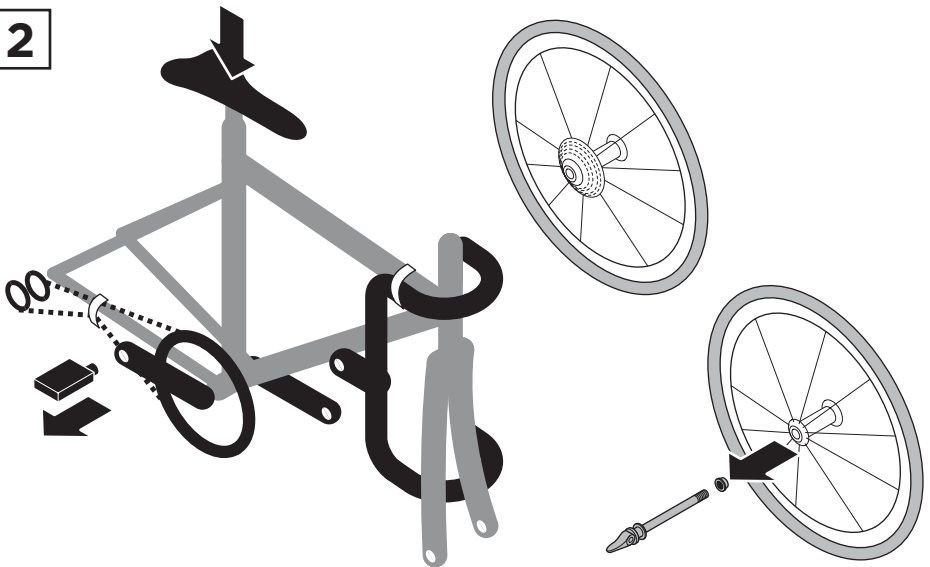
2



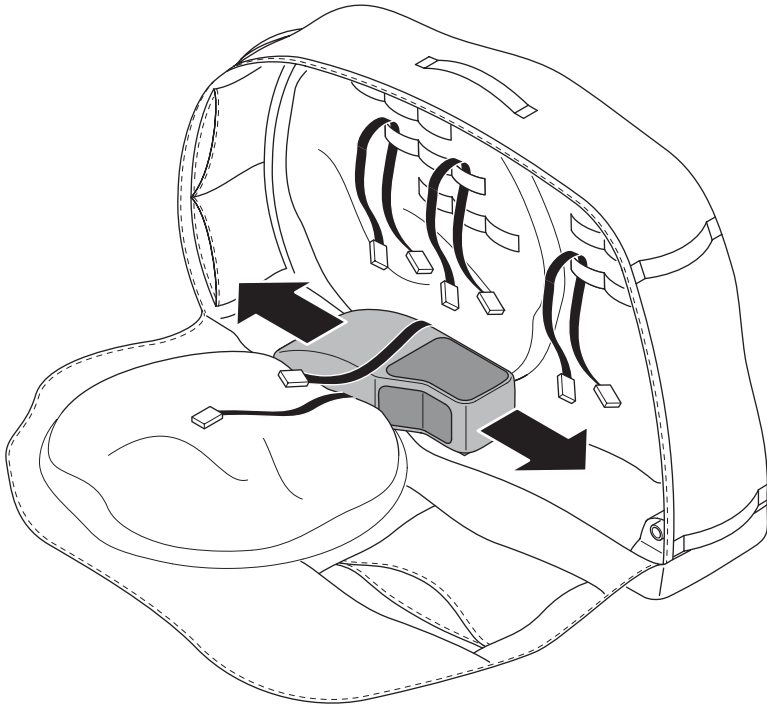
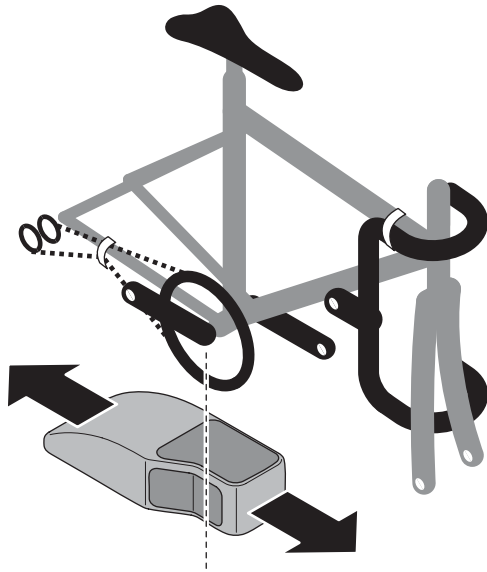
3



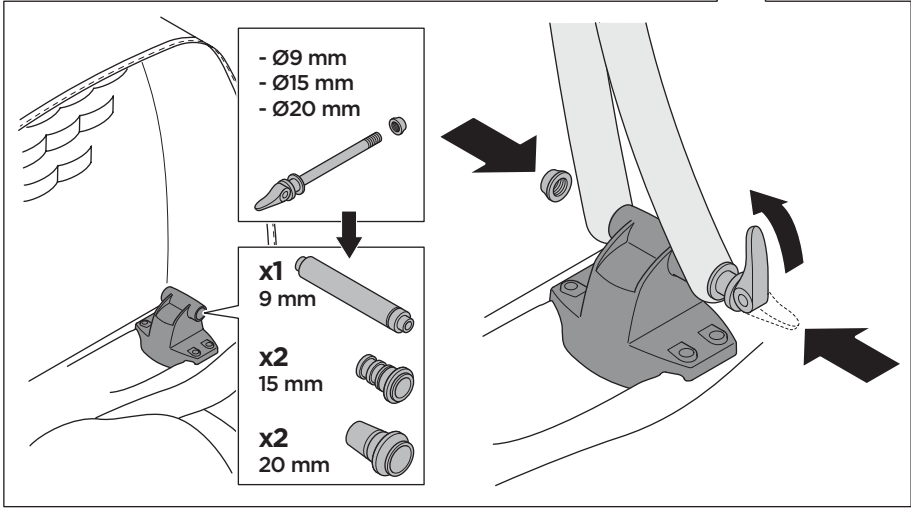
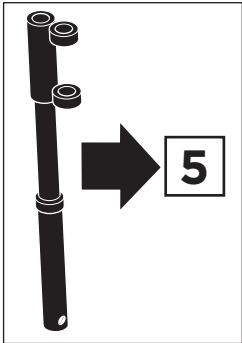
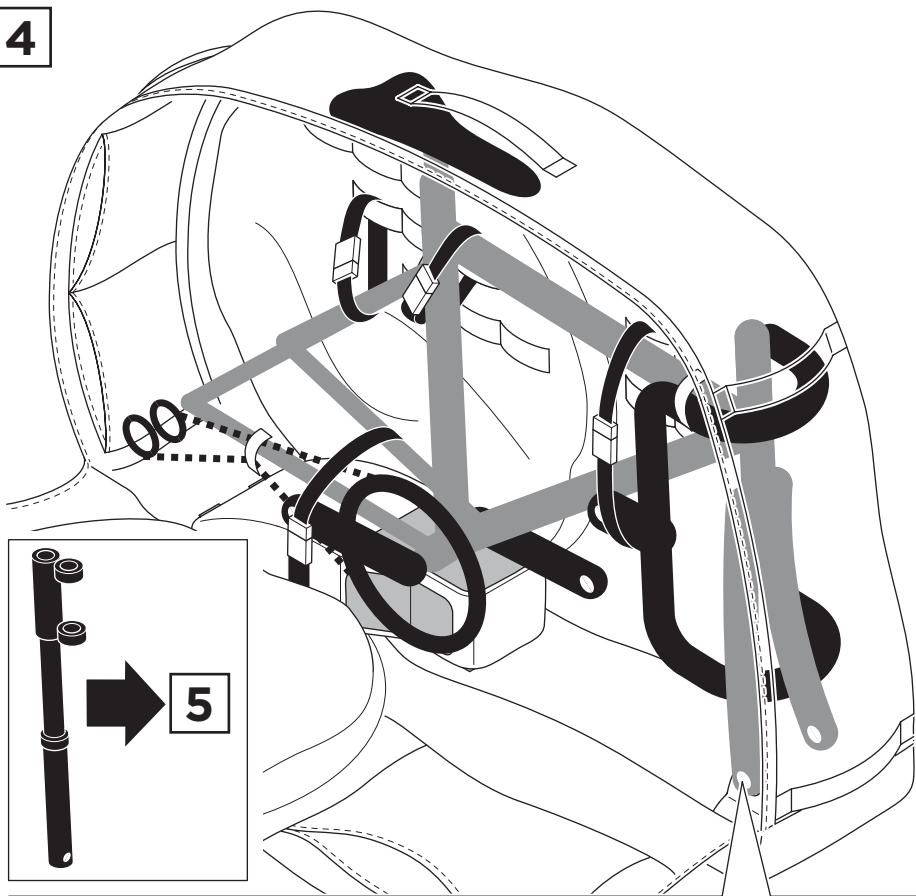
2



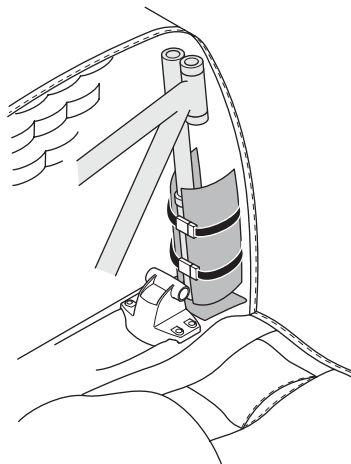
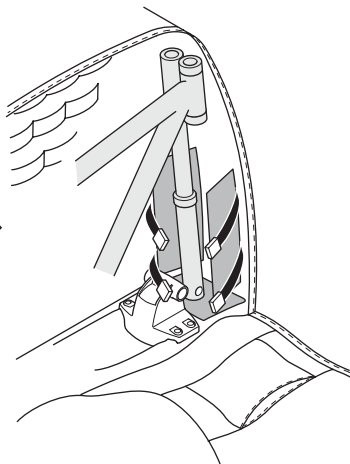
3



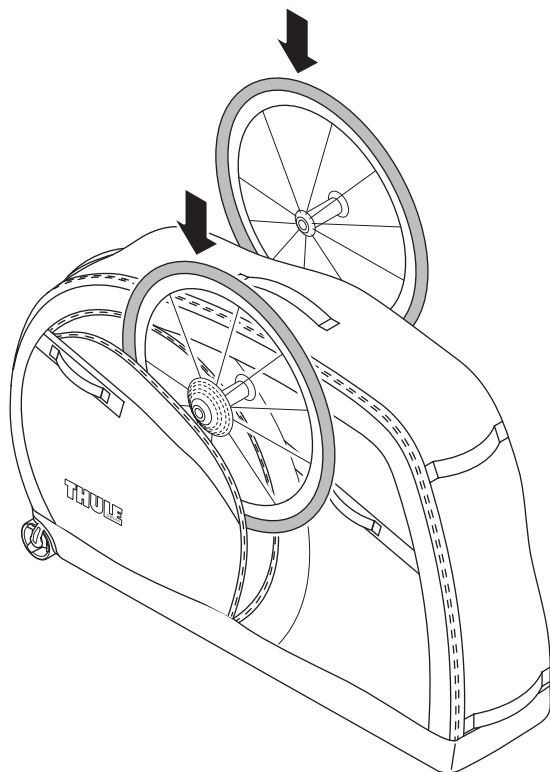
4



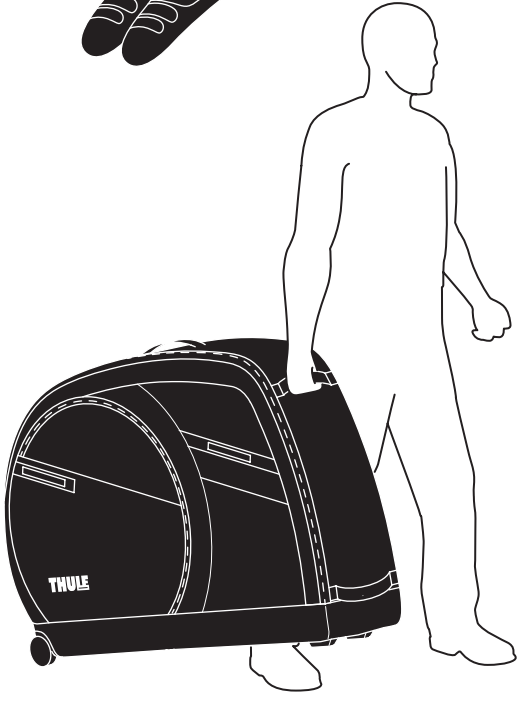
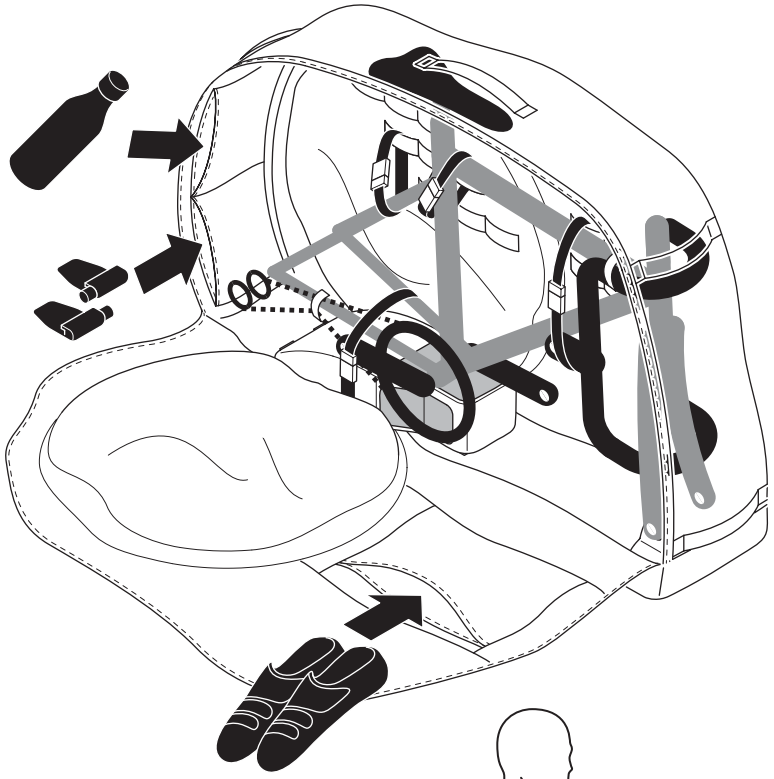
5





6



i



**WW** ▶  Thule Sweden AB, Box 69, 330 33 Hillerstorp, SWEDEN  
**NA** ▶  Thule Inc., 42 Silvermine Road, Seymour, Connecticut 06483, USA

 [info@thule.com](mailto:info@thule.com)  
 Phone: 800-238-2388

 [www.thule.com](http://www.thule.com)

» PART OF THULE GROUP

© Thule Group 2014. All rights reserved.

501-8037-01