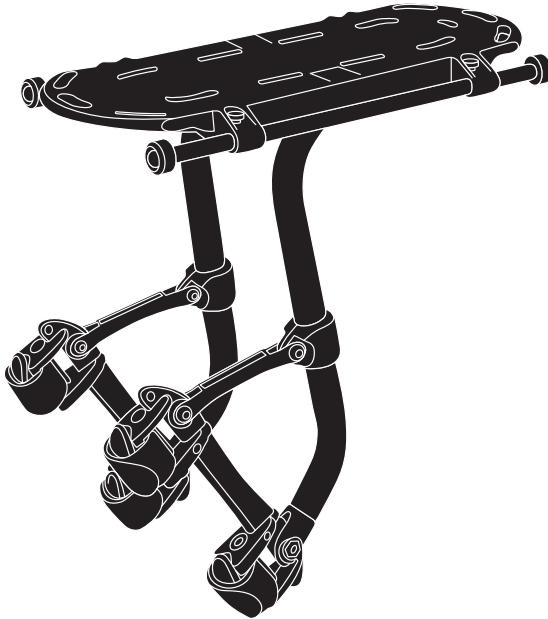


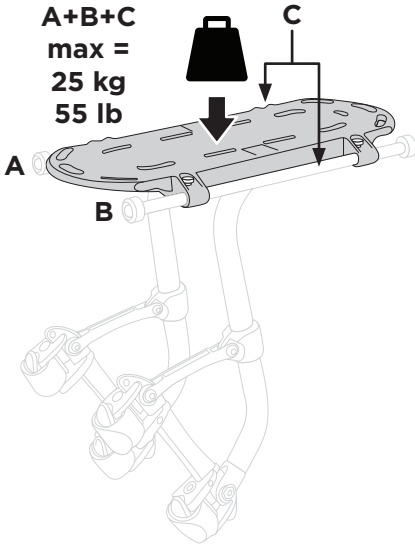
# Thule Pack 'n Pedal Tour Rack 100016

## > Instructions

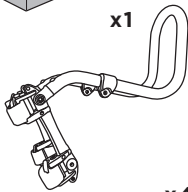
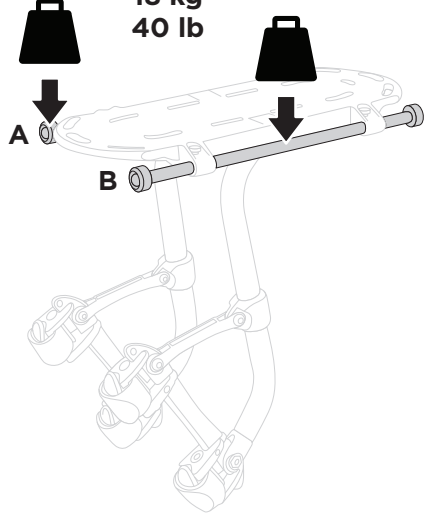




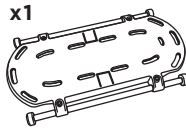
A+B+C  
max =  
25 kg  
55 lb



A+B  
max =  
18 kg  
40 lb



x1



x1



x1



x4



x2



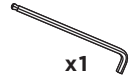
x1



x4



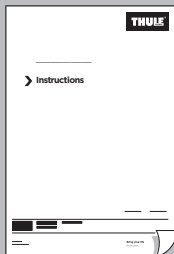
x2

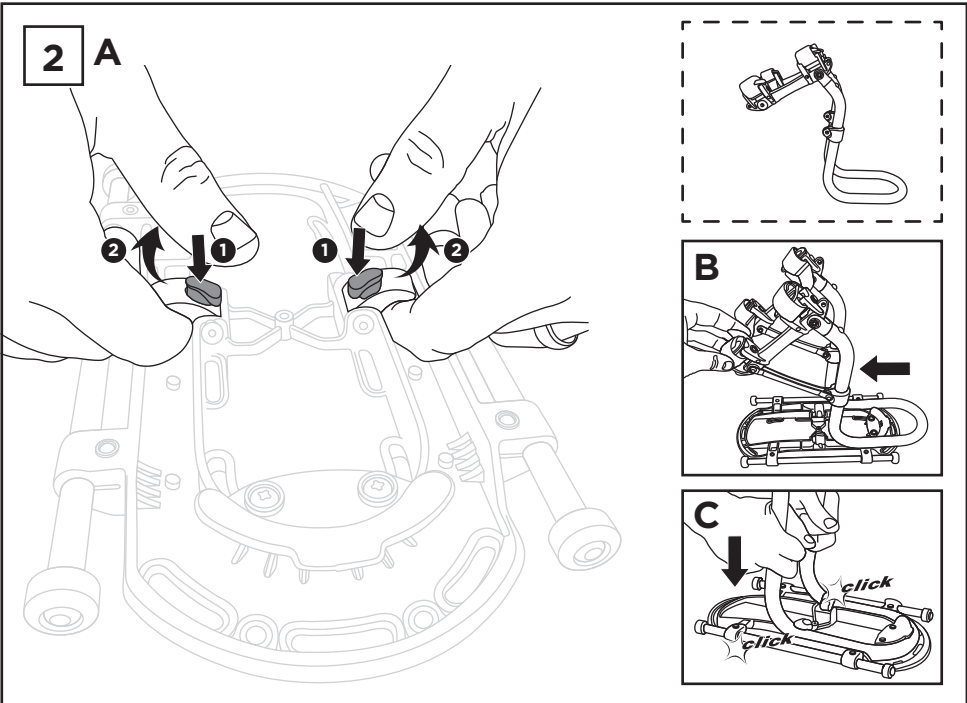
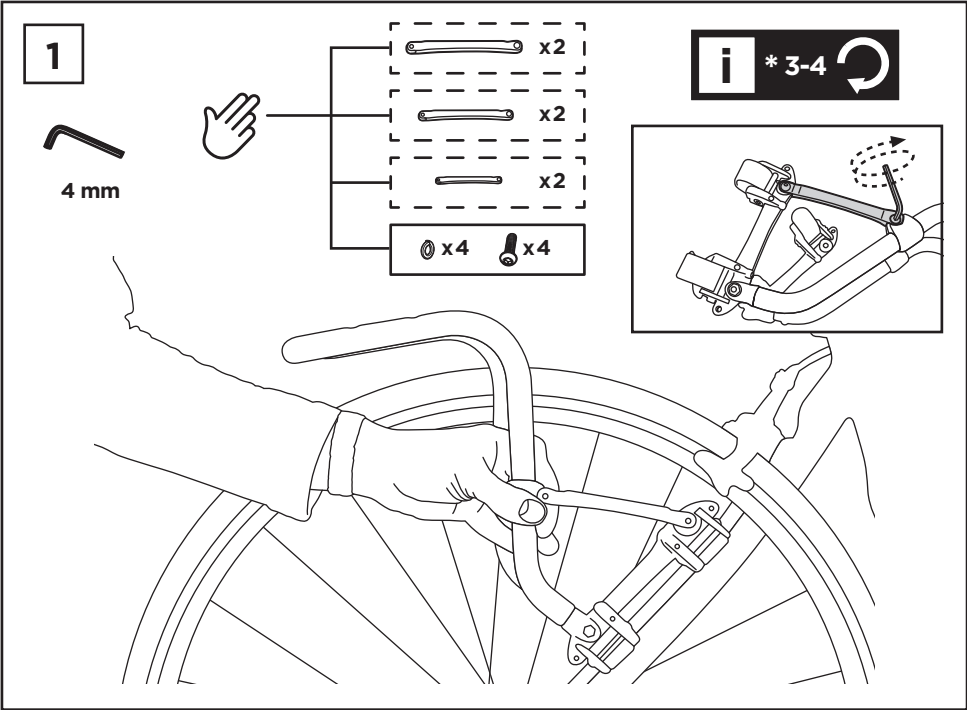


x1



x2

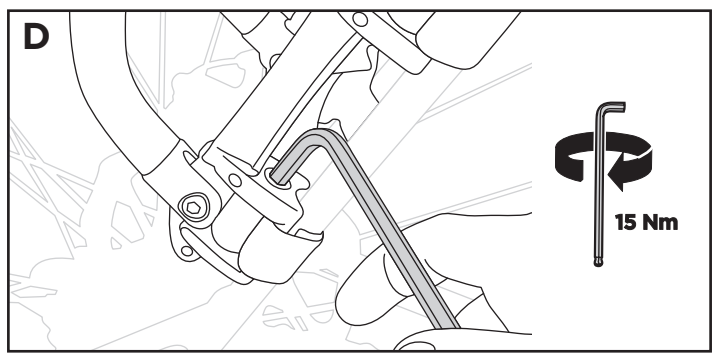
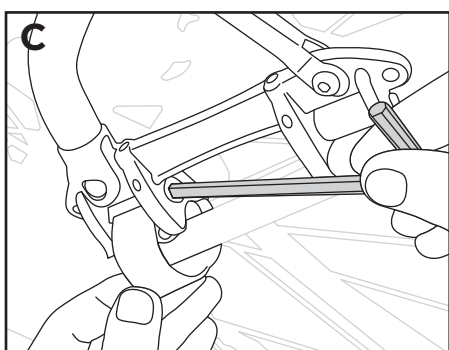
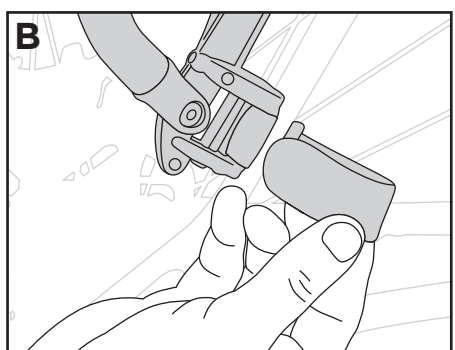
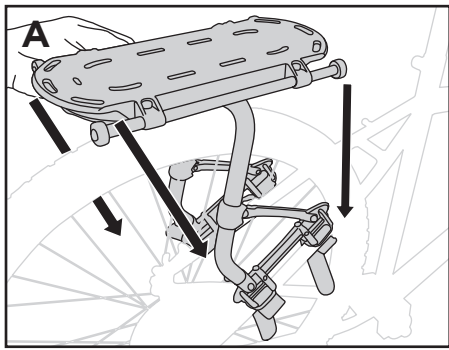
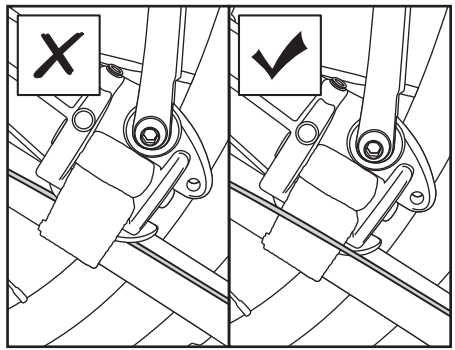




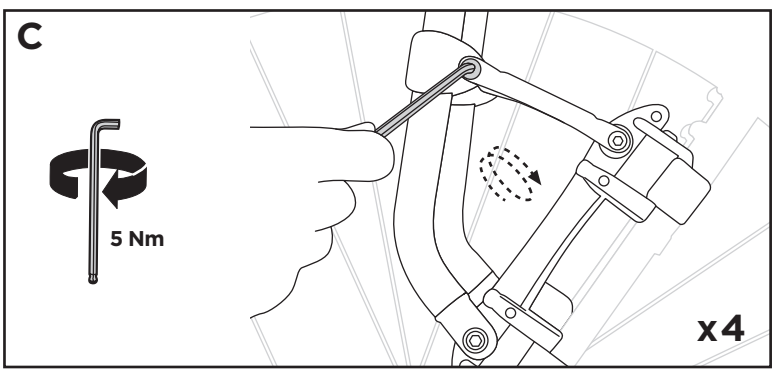
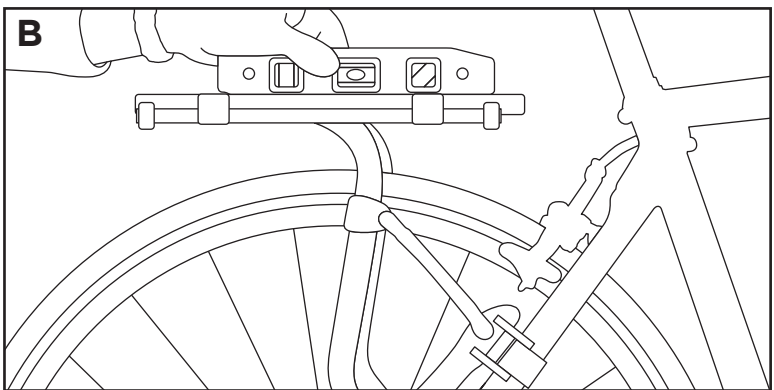
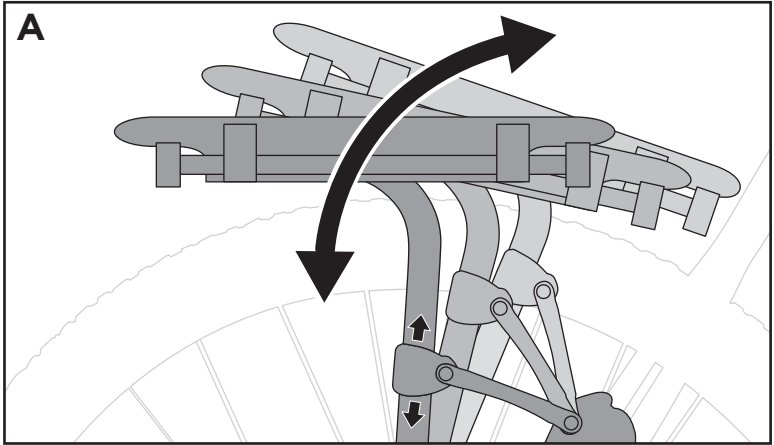
3



5 mm



4



i

